

MCD-CRMT

Corner Mount

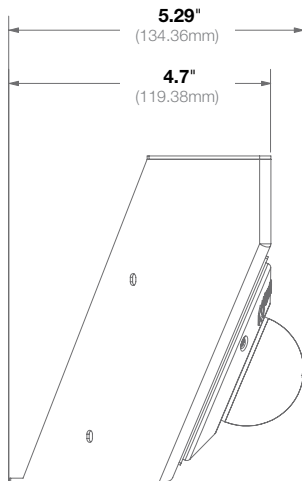
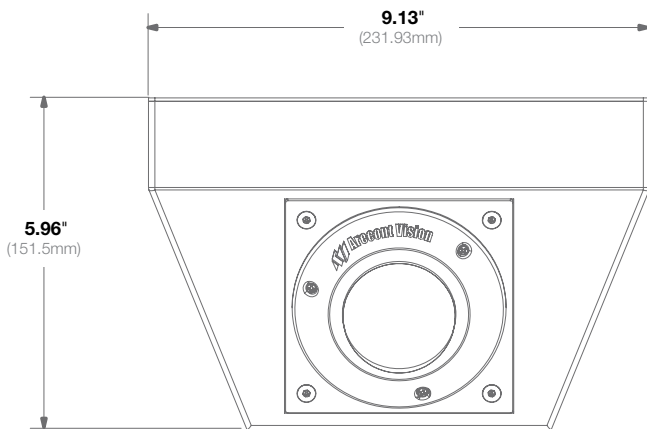


Features:

- Easy Installation and Superior Design
- "No-Grip" Design
- Heavy Duty Enclosure

Compatibility Works with MicroDome® Series (-S models only)

Mechanical	Casing	Die-cast aluminum
		IP66 weather proof standard
		IK-10 impact-resistant
	Color	Ivory (Pantone® Cool Gray 1C)
	Dimensions	See dimensional drawings below
Weight	w/o Camera	0.37lbs (0.168kg)



MCD-4S

Electrical Box Surface Mount Cover

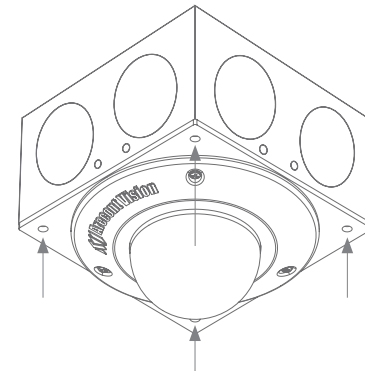
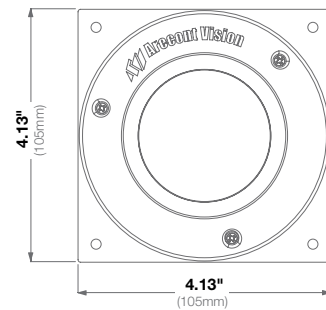
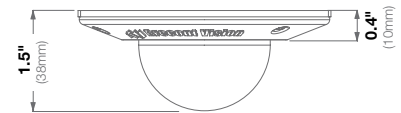


Features:

- Easily Install a MicroDome Surface Model Inside an Electrical Box
- Heavy Duty Enclosure Protection for Applications in Harsh Environments
- Die-Cast Aluminum is Resistant to Impact and Salt Damage

Compatibility Works with MicroDome® Series surface mount domes (-S models only)* in conjunction with 3rd party 4-inch square box** 2-1/8 inch deep.

Mechanical	Casing	Die-cast aluminum
		IP66 weather proof standard
		IK-10 impact-resistant
Color	Ivory (Pantone® Cool Gray 1C)	
Dimensions	4.13" L (105mm) x 4.13" W (105mm) x 1.5" H (38mm)	
Weight	w/o Camera	0.18lbs (0.08kg)



Quick Installation:

Attach the MCD-4S Mount Cover to a 4-inch square box (user supplied) with the supplied hardware.

* MCD-4S will not work with the MicroDomes IR models
 ** Verify fit as dimensions vary between manufactures